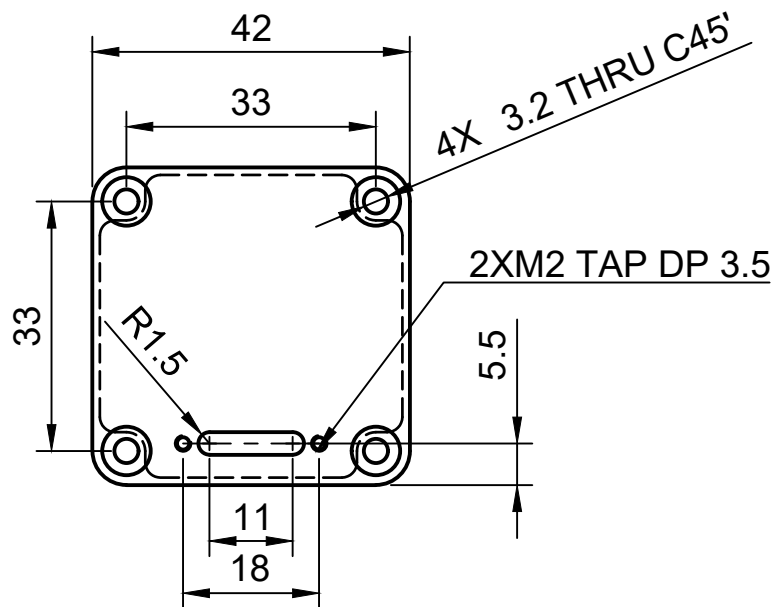
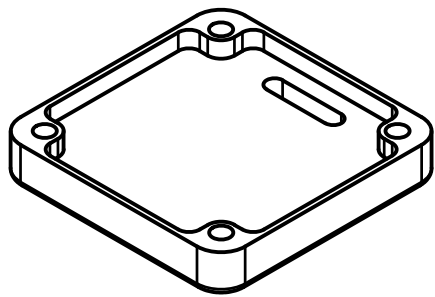


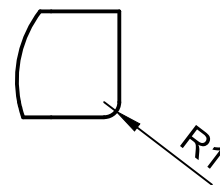
1 2 3 4 5 6 7 8

A

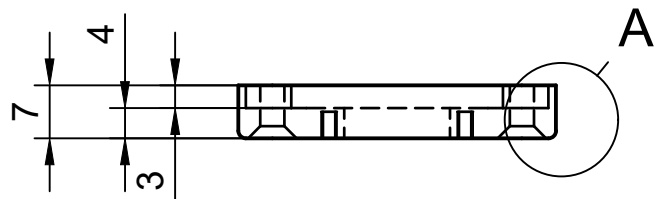


B

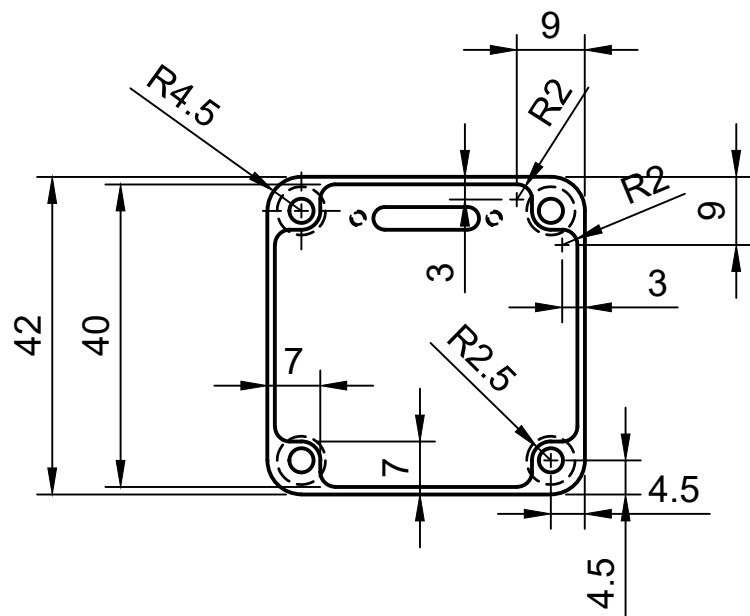
A (2:1)



C



D



E

Dept.	Technical reference	Created by	2019-04-29		Approved by
		Document type	Document status		
		Title	DWG No.		
		Case_Back			
Rev.	Date of issue	Sheet	1/1		

F

1 2 3 4 5 6 7 8